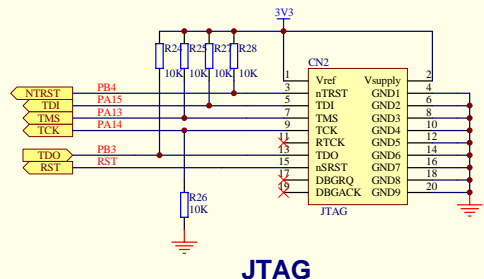
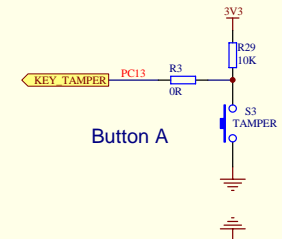


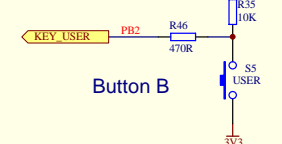
Power



JTAG

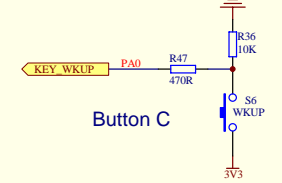


Button A

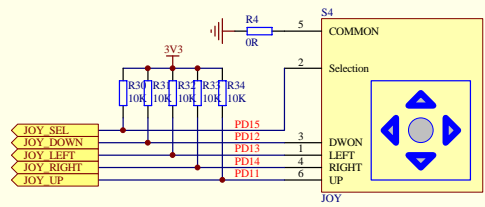


Button B

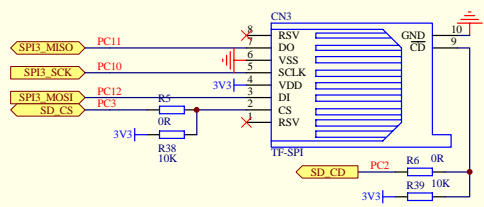
BUTTON



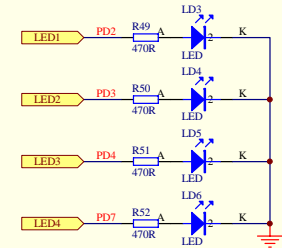
Button C



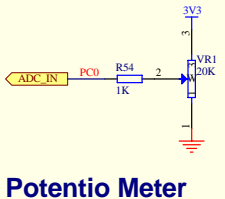
Joystick



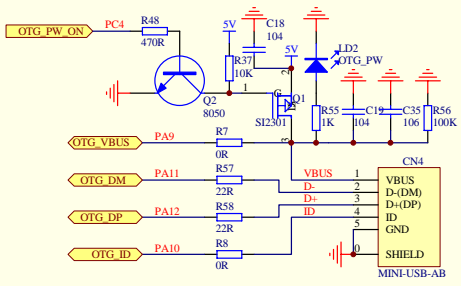
SD Card



LED

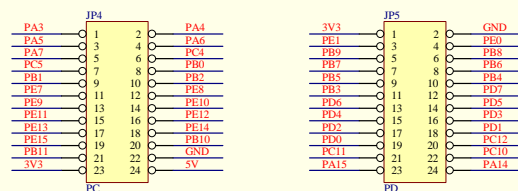
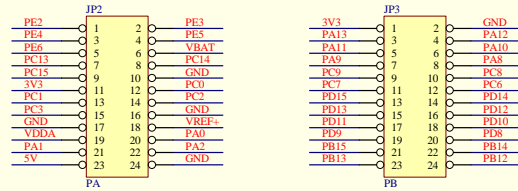


Potentiometer

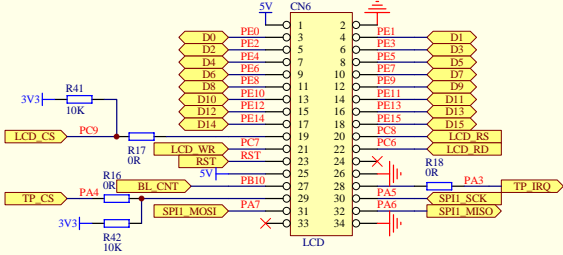


USB OTG

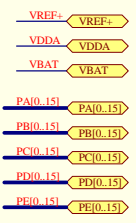
Title			
HY-GoldBull_V3			
Size	Number	Revision	
B	www.PowerMCU.com	V3.0	
Date:	5-Apr-2011	Sheet of	
File:	F:\数字电子\HY-GoldBull V3\HY-GoldBull V3\HY-GoldBull V3\BOM.DOC		



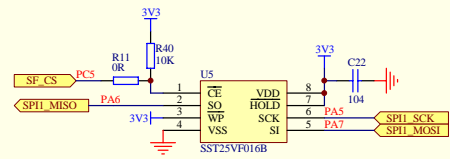
Extension connector



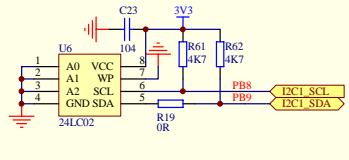
LCD



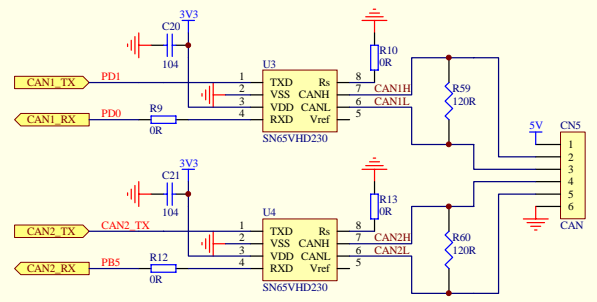
SPI Flash



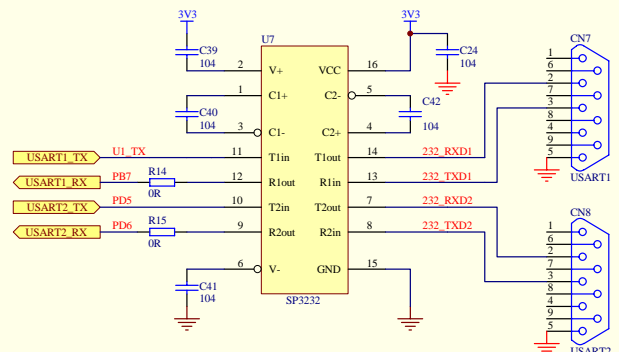
EEPROM



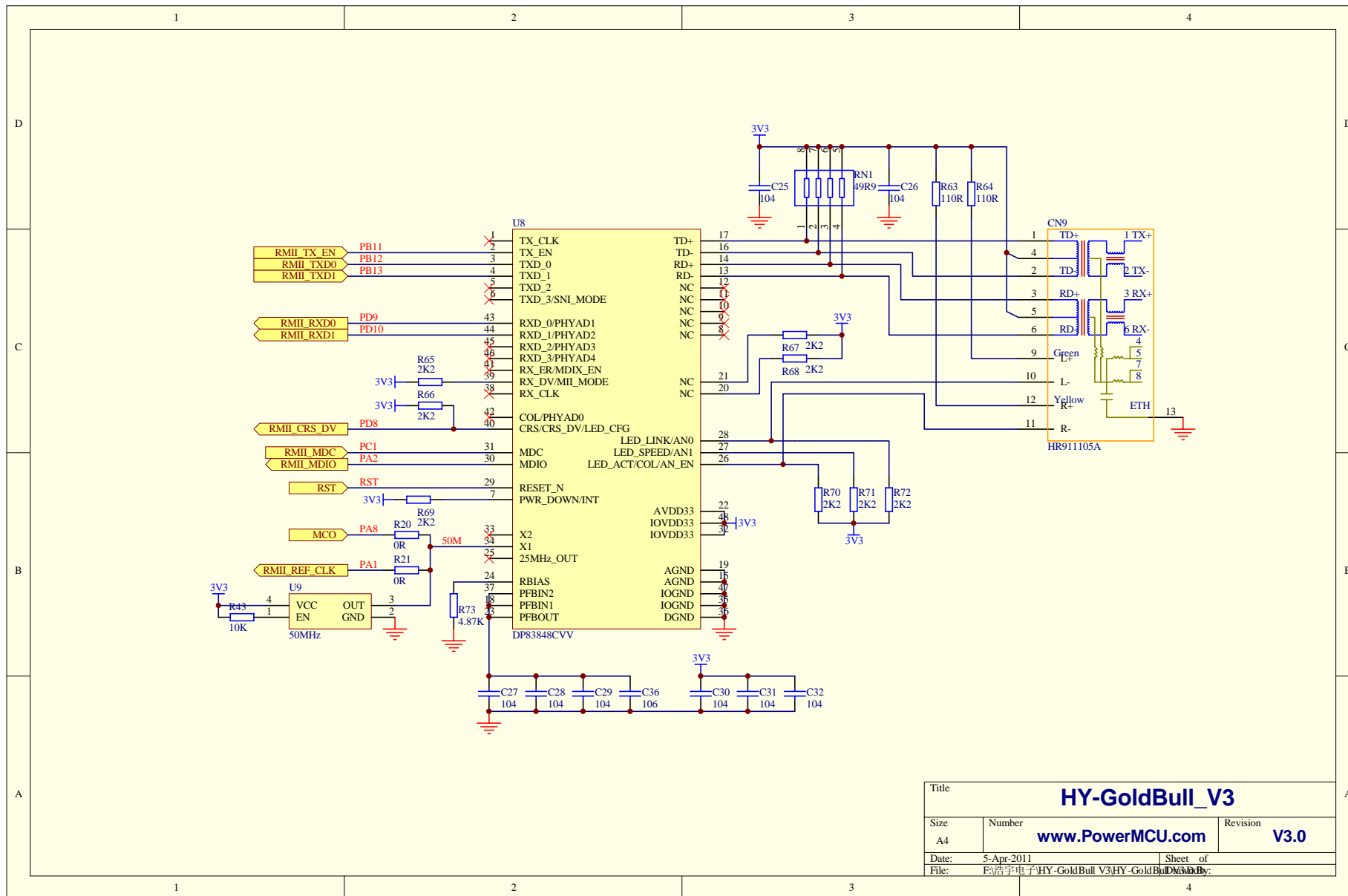
CAN_BUS



RS232



Title			
HY-GoldBull_V3			
Size	Number	www.PowerMCU.com	Revision
B			V3.0
Date:	5-Apr-2011	Sheet of	
File:	科隆宇电子\HY-GoldBull V3\HY-GoldBull_V3\HW	1/1	



Title			HY-GoldBull_V3		
Size	Number	www.PowerMCU.com		Revision	V3.0
A4					
Date:	5-Apr-2011	Sheet of			
File:	F:\浩宇电子\HY-GoldBull_V3\HY-GoldBull_V3.Dwg	Drawn by:			