

# INDEX

## Schematics Index:

- 01 Index
- 02 CPU
- 03 MEM
- 04 EXTIF

## REVISION HISTORY

Rev	Description	Date	Drawn	Checked	Approved
v1.0	Initial	2014-07-05	Thomas	Thomas	



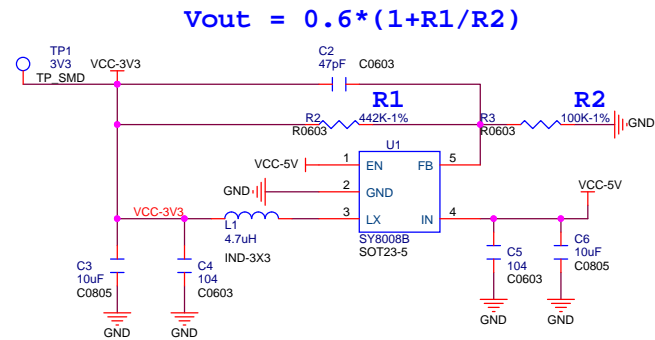
# CM-STM32F4xxIG

Designed by HAOYU Electronics

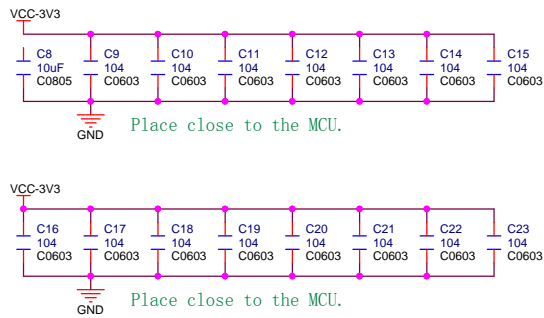
[www.PowerMCU.com](http://www.PowerMCU.com)

HAOYU Electronics	
Title: CM-STM32F4xxIG	
File: INDEX	REV: 1.0
Create Date: Saturday, July 05, 2014	Page Num: 1
Modify Date: Saturday, August 23, 2014	Page Total: 4

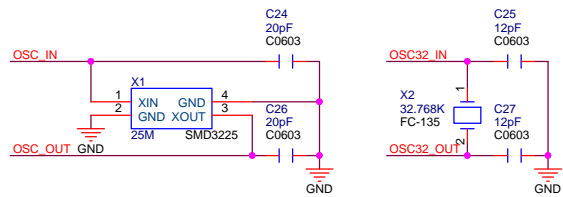
### Power



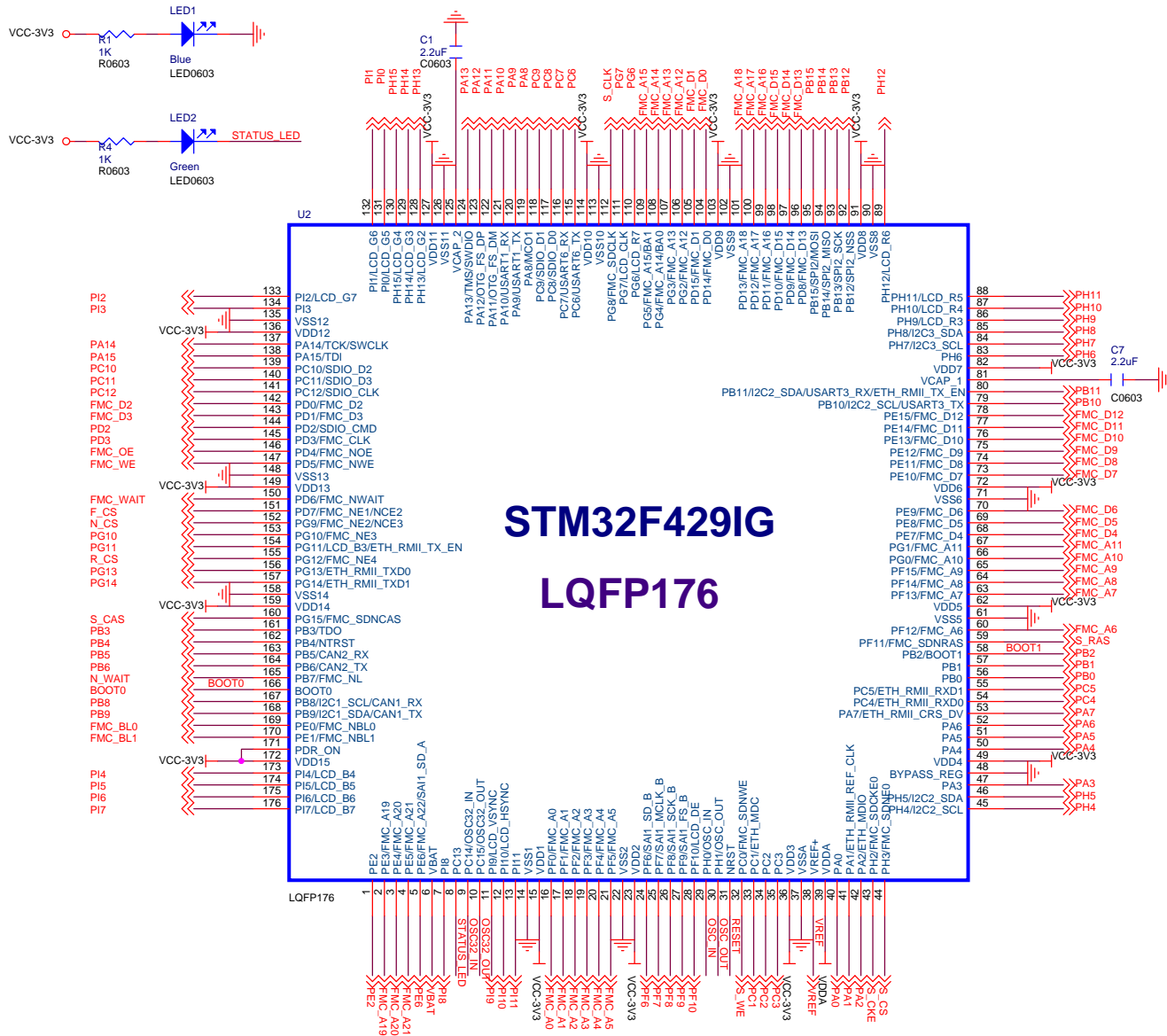
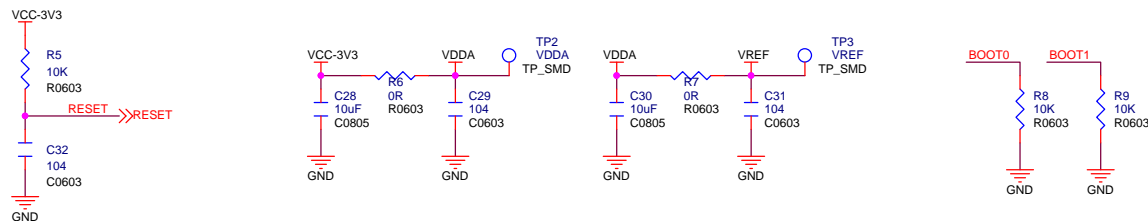
### CPU



### Crystal



### Reset

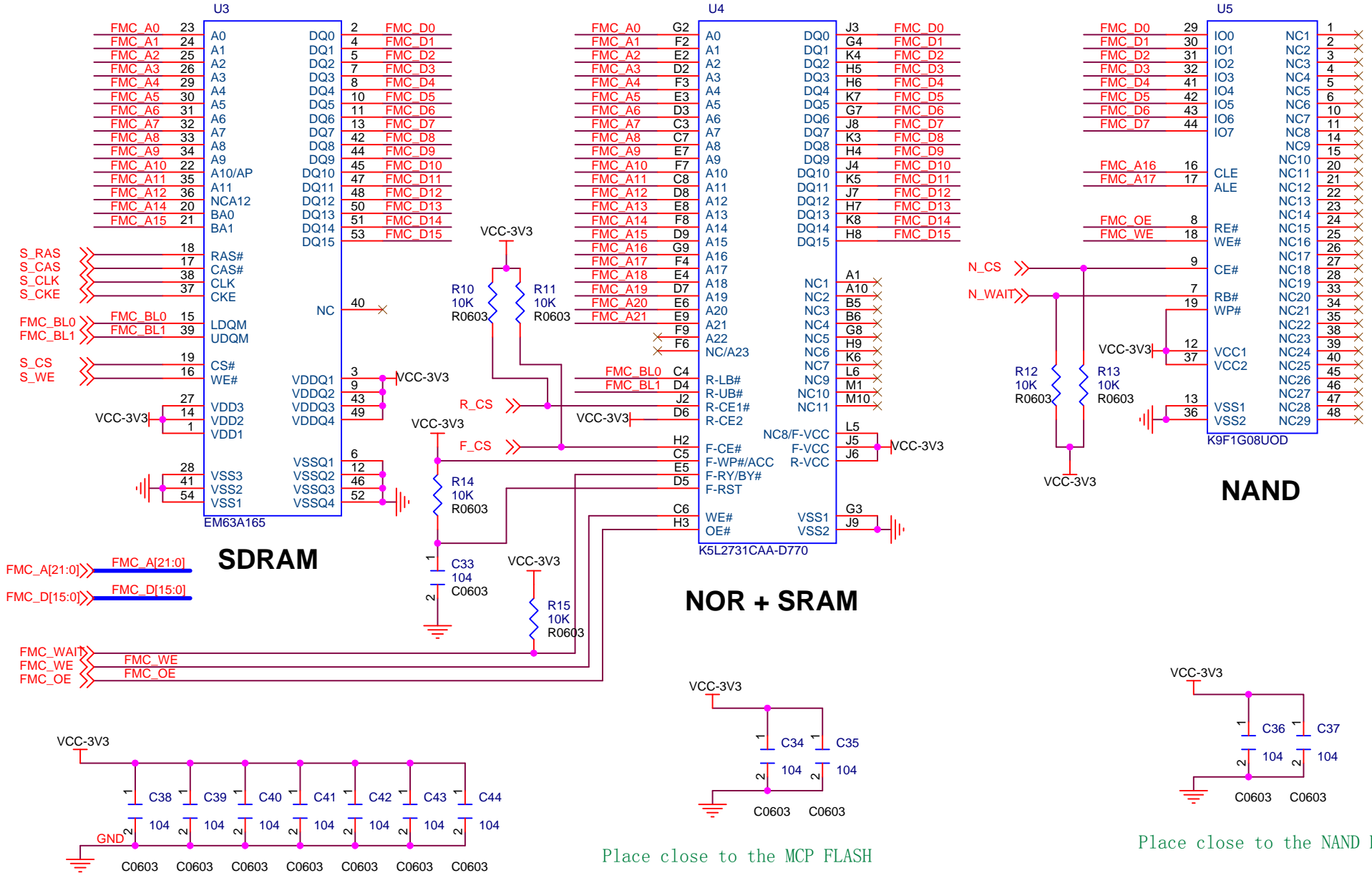


# Memory

0xC0000000 ~0xC0FFFFFF  
Total:32MB

NOR:0x60000000 ~0x607FFFFF  
Total:8MB  
PSRAM:0x6C000000 ~0x6C3FFFFFF  
Total:4MB

0x80000000 ~0x87FFFFFF  
Total: 128MB



Place close to the SDRAM

Place close to the MCP FLASH

Place close to the NAND FLASH

<b>HAOYU Electronics</b>	
<b>Title: CM-STM32F4xxIG</b>	
<b>File: Memory</b>	<b>REV: 1.0</b>
<b>Create Date: Saturday, July 05, 2014</b>	<b>Page Num:3</b>
<b>Modify Date: Saturday, August 30, 2014</b>	<b>Page Total: 4</b>

# Extention Interface

