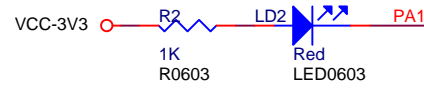
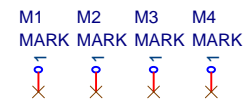
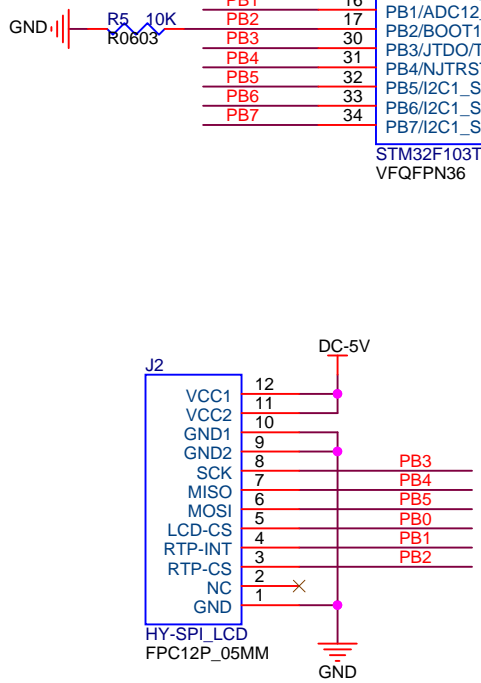
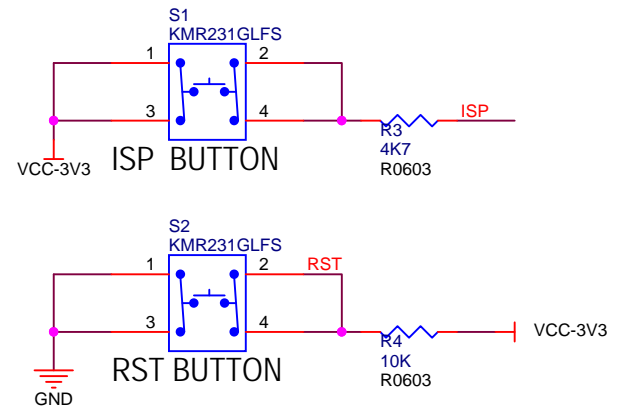
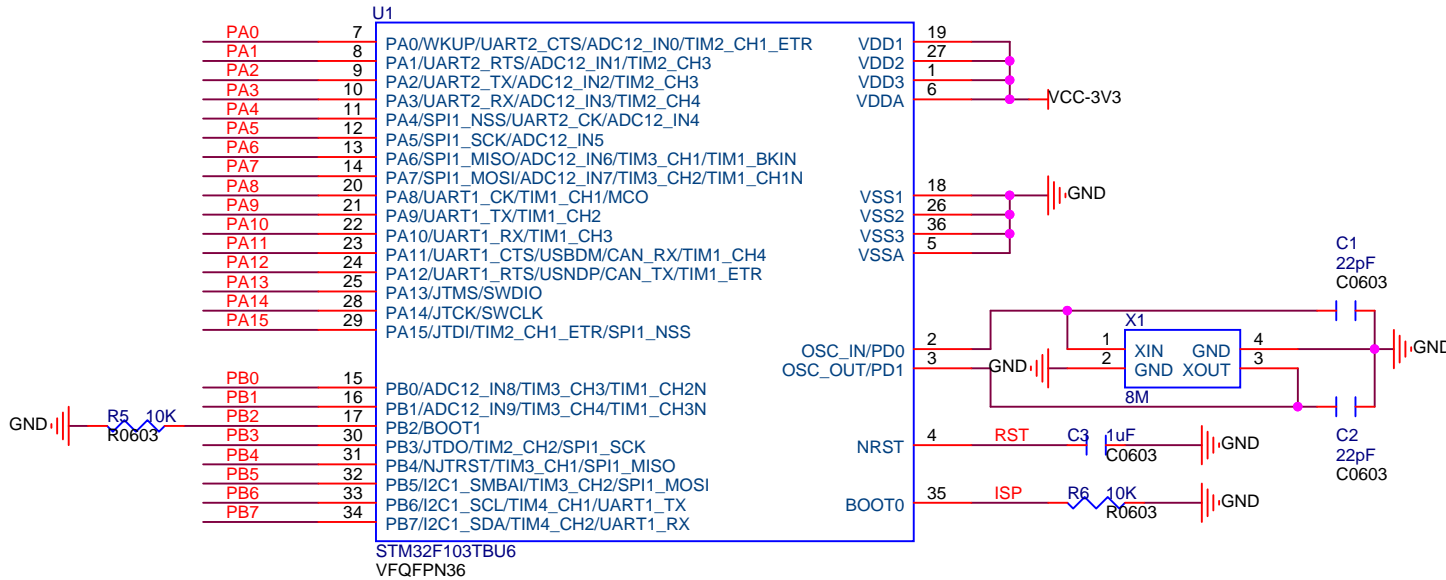
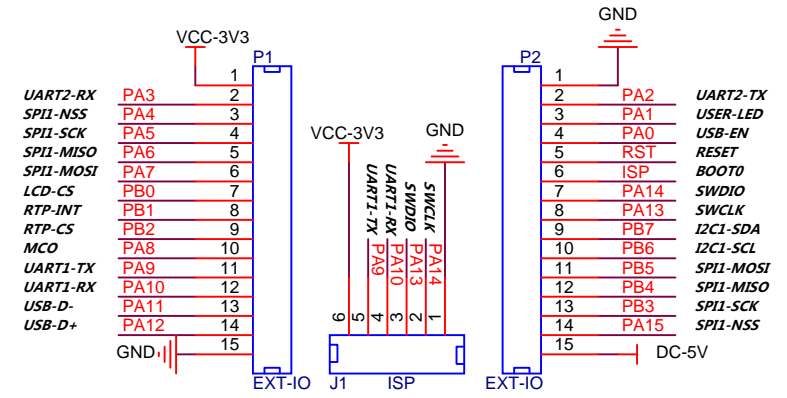


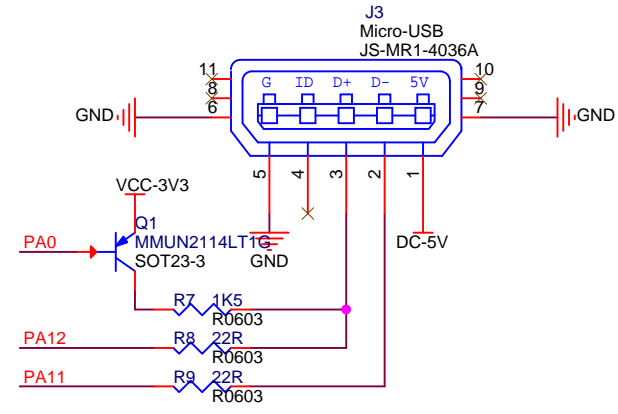
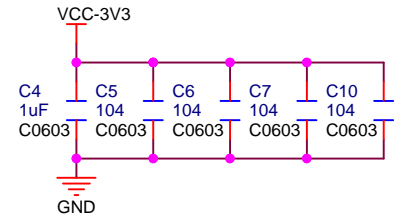
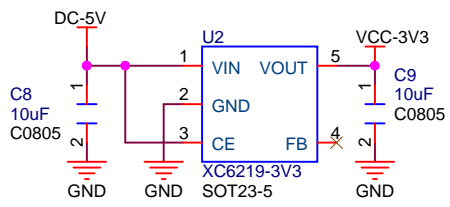
Power LED



User LED



VCC-3V3 300mA



Limit Output Current: 300mA

The LDO only provided current to MCU
Please note provided to the external circuit
current limit can not exceed 200mA.
We recommend using a 5V supply external circuit.