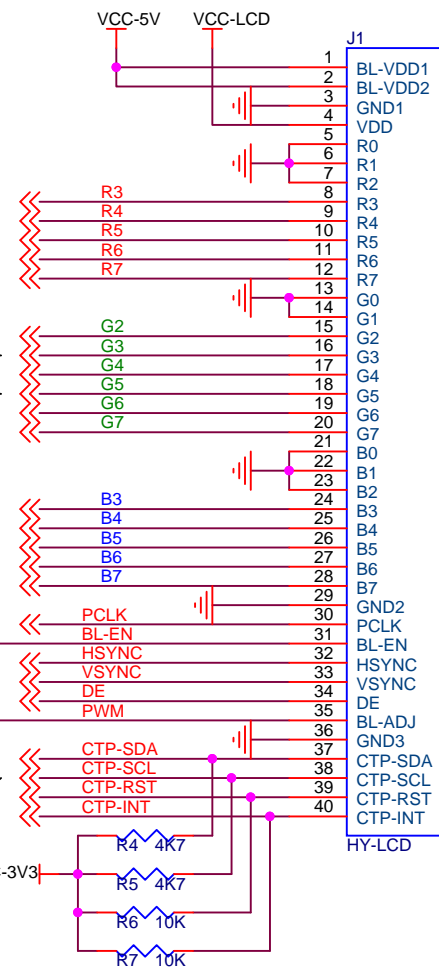
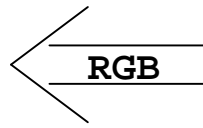


LCD Power

Red: 5bit  
Green: 6bit  
Blue: 5bit

To MCU/MPU

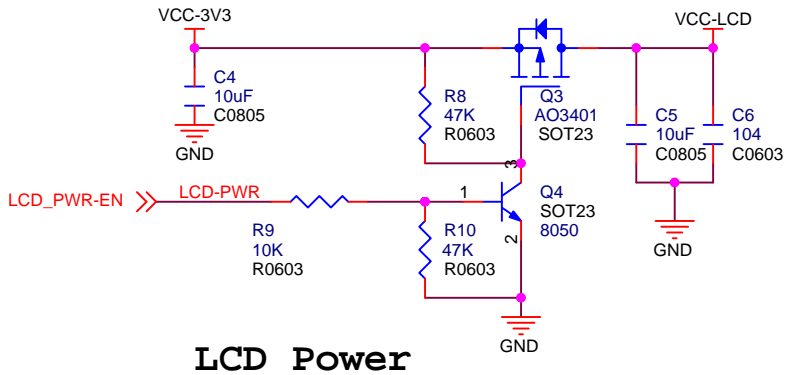


BL\_EN = 1, BackLight ON  
BL\_EN = 0, BackLight OFF

100Hz~200K Hz PWM

The maximum duty cycle, the darkest backlight.  
The minimum duty cycle, the brightest backlight.

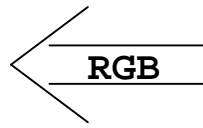
To MCU/MPU IO



LCD Power

Red: 6bit  
Green: 6bit  
Blue: 6bit

To MCU/MPU

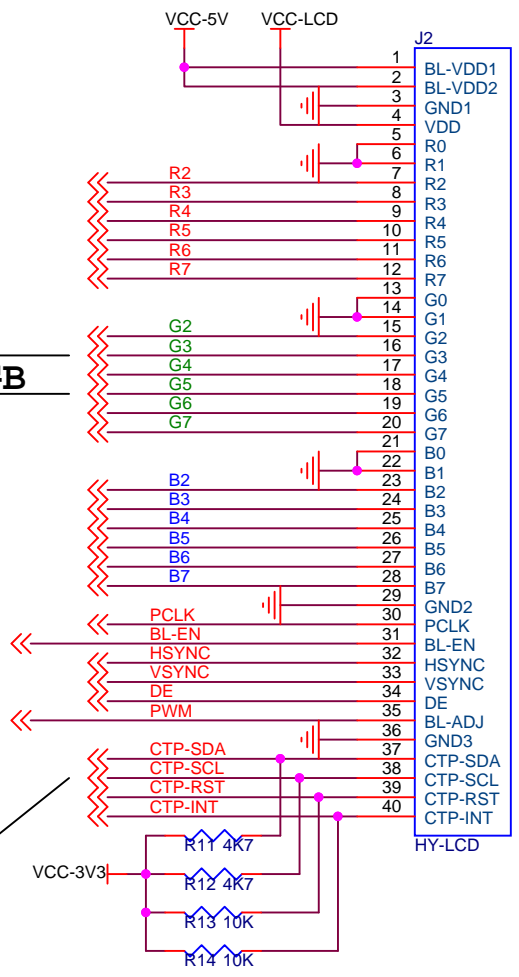


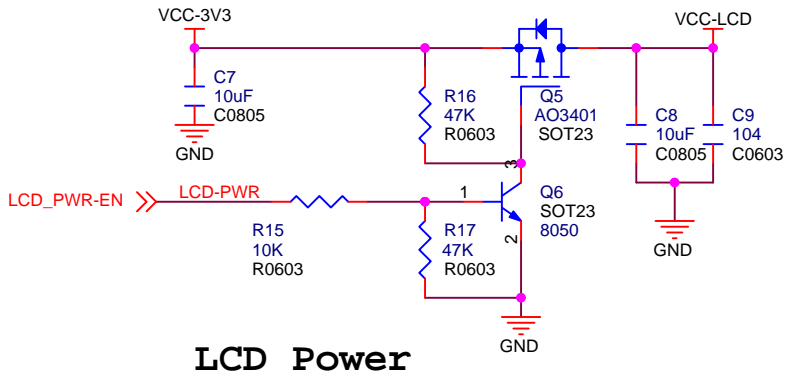
BL\_EN = 1, BackLight ON  
BL\_EN = 0, BackLight OFF

100Hz~200K Hz PWM

The maximum duty cycle, the darkest backlight.  
The minimum duty cycle, the brightest backlight.

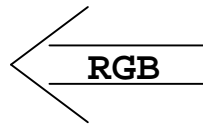
To MCU/MPU IO





**Red: 8bit**  
**Green: 8bit**  
**Blue: 8bit**

To MCU/MPU



BL\_EN = 1, BackLight ON  
 BL\_EN = 0, BackLight OFF

100Hz~200K Hz PWM

The maximum duty cycle, the darkest backlight.  
 The minimum duty cycle, the brightest backlight.

To MCU/MPU IO

