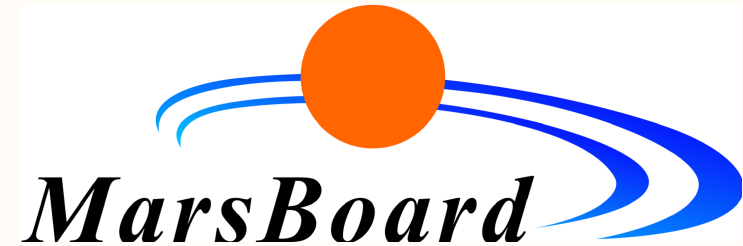


Schematics Index

P01: INDEX
P02: CM-A10/A20
P03: HDMI-ETH
P04: KEY-TF-IR-DEBUG
P05: AUDIO-SATA
P06: USB-HOST-OTG
P07: Extention-IO



SIM-A10/A20

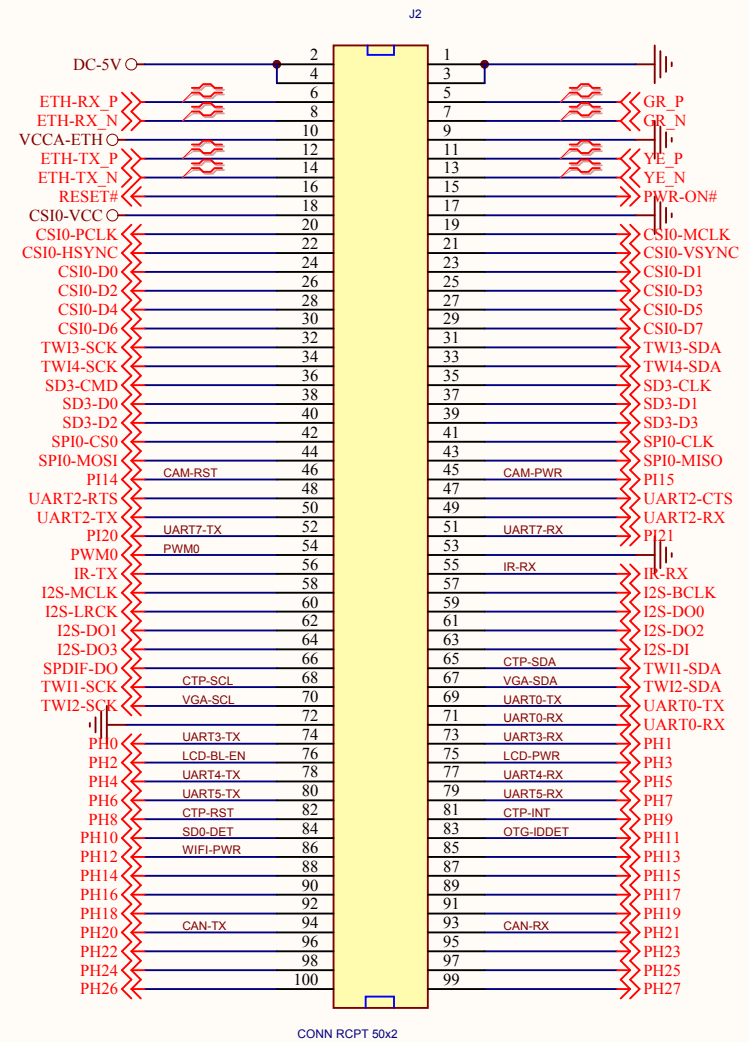
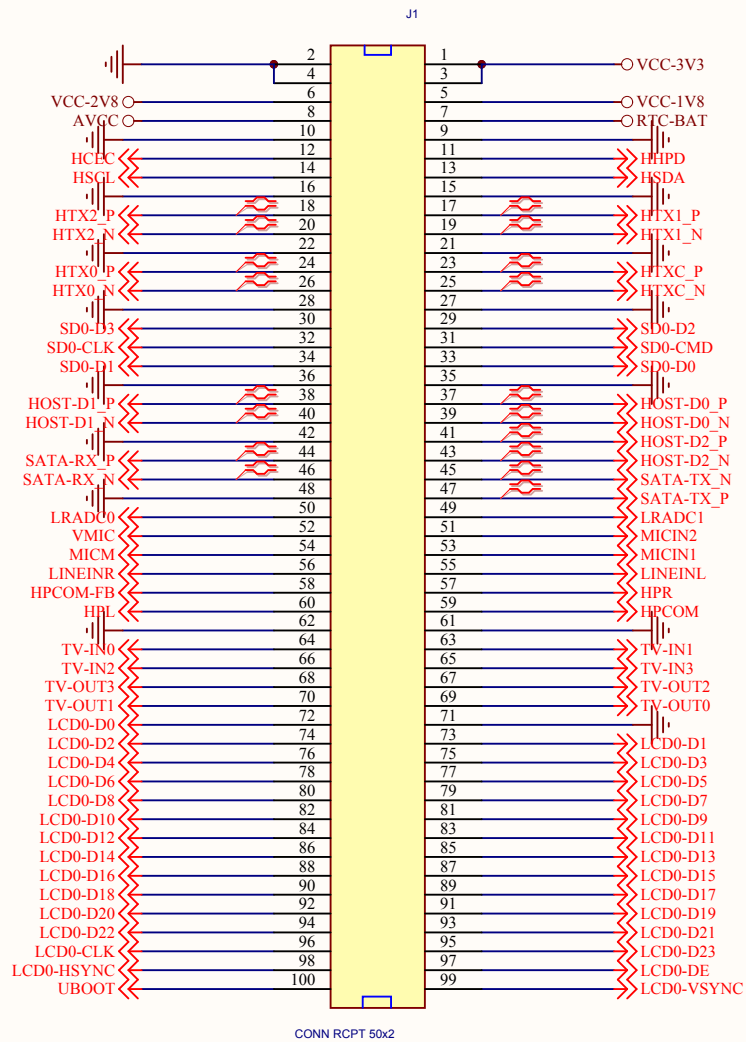


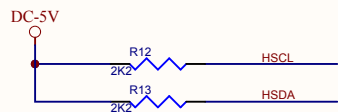
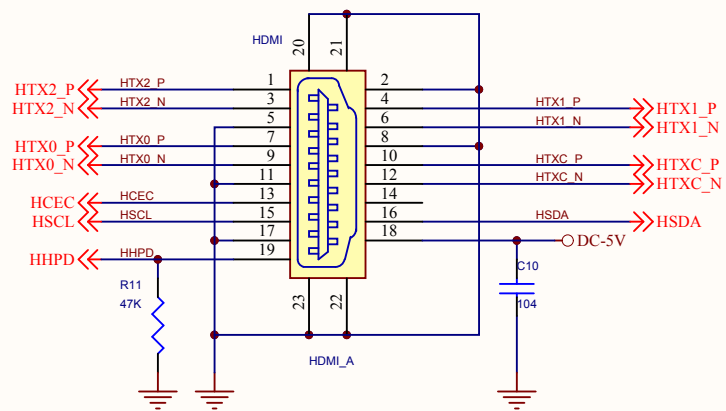
Rev	Description	Date	Drawn	Checked	Approved
SOM-A10/A20 Lite V1.0	Release	2014-06-20	Jan	Jan	

Designed by HAOYU Electronics

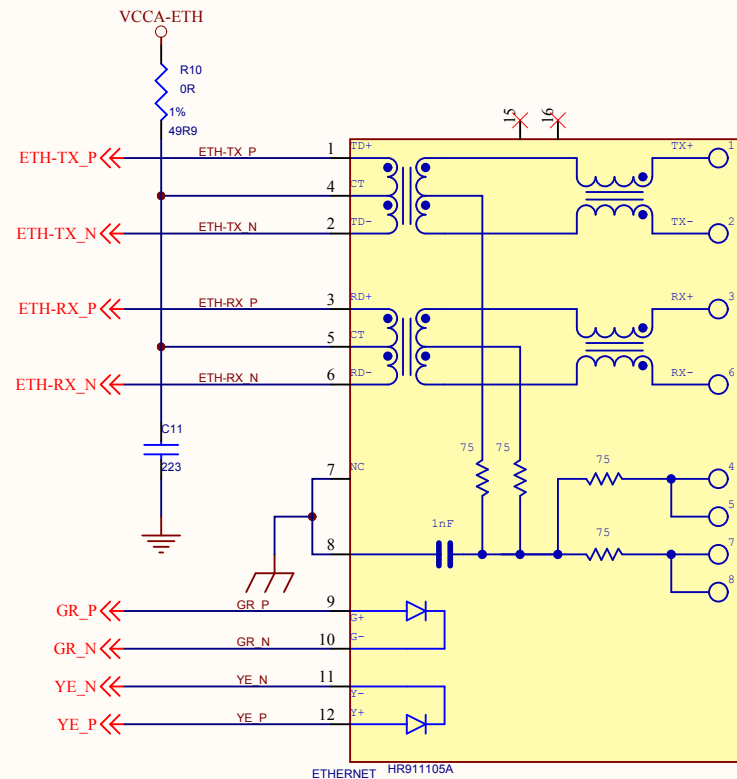
www.PowerMCU.com
www.MarsBoard.com

HAOYU ELECTRONICS		HAOYU Electronics
Title: SIM A10/ A20		REV: 1.0
File: INDEX		Page Num:
Create Date:	Page Total:	
Modify Date:		

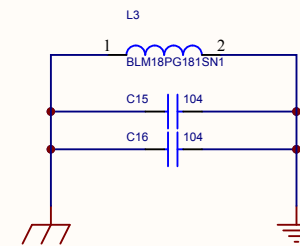




HDMI

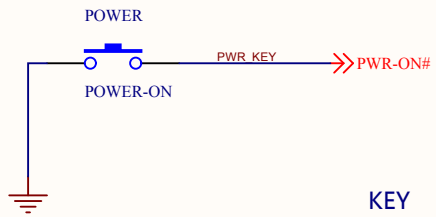
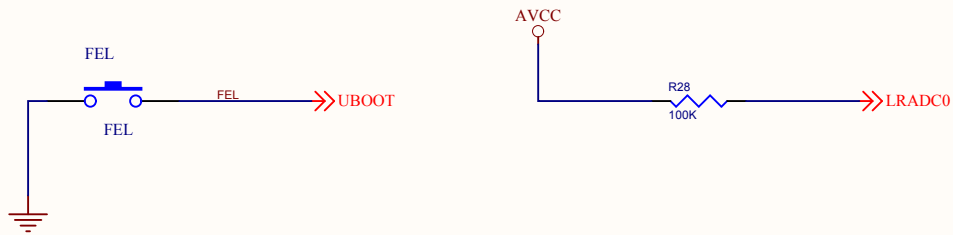


ETHERNET HR911105A

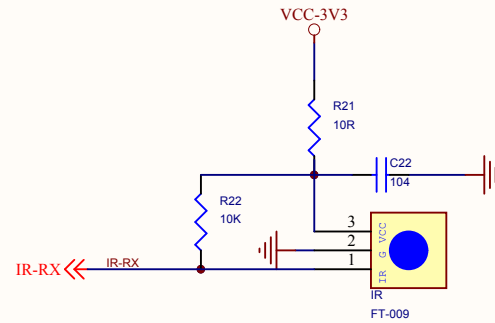
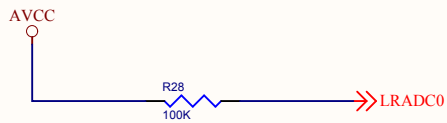


Ethernet

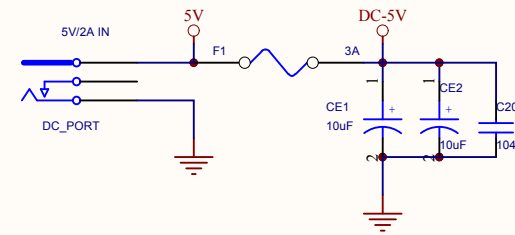
HAOYU ELECTRONICS		HAOYU Electronics	
Title: SI M A10/ A20			
File: HDM - Et her net			REV: 1.0
Create Date:	Page Num:		
Modify Date:	Page Total:		
1	2	3	6



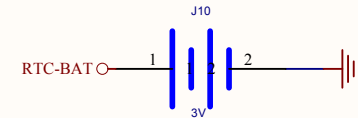
KEY



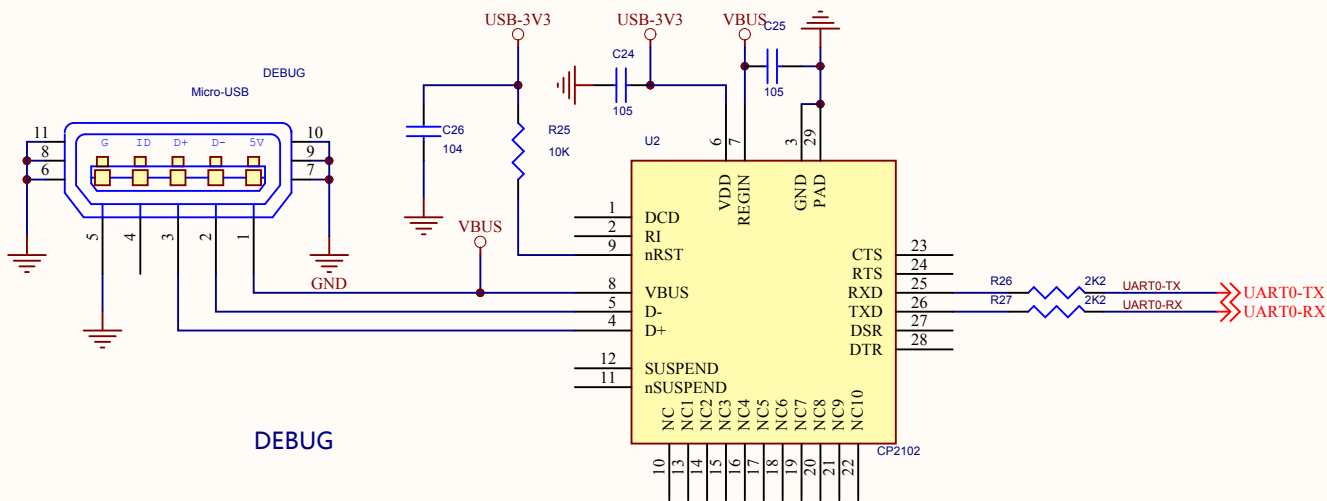
IR Receiver



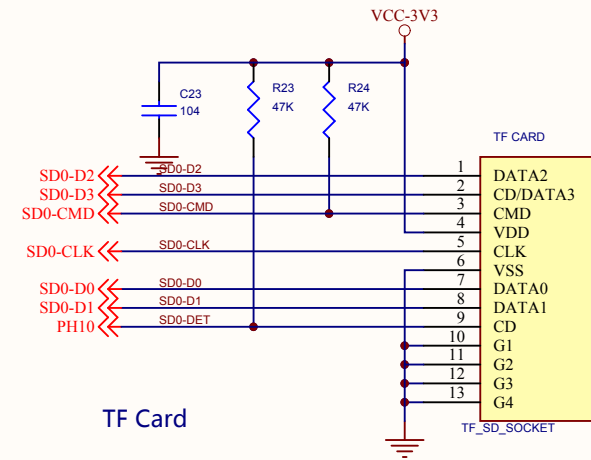
DC 5V/2A IN



RTC BAT

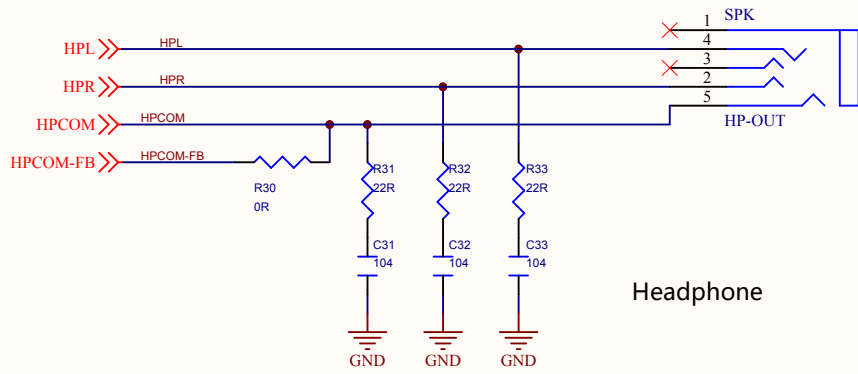


DEBUG

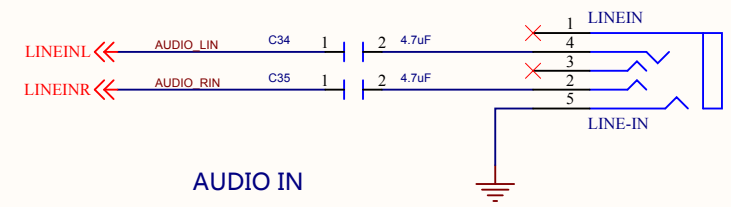


TF Card

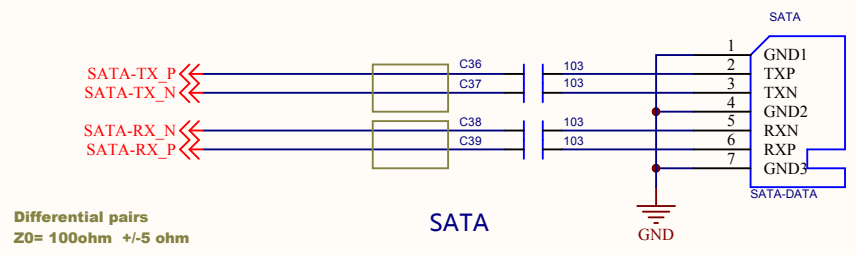
HAOYU ELECTRONICS		HAOYU Electronics	
Title: SI M A10/ A20			
File: KEY- TF- I R- DEBUG			REV: 1.0
Create Date:			Page Num:
Modify Date:			Page Total:



Headphone



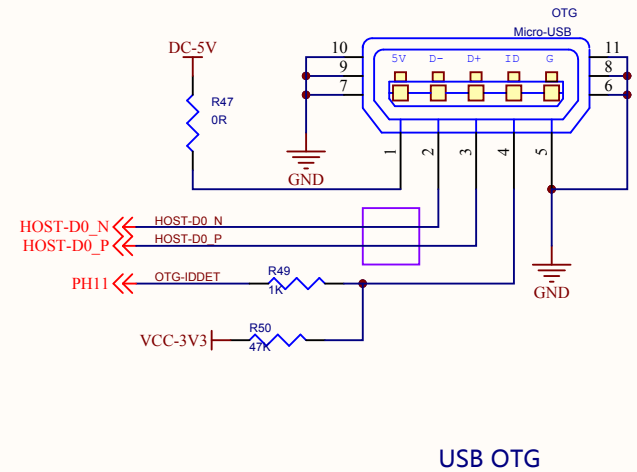
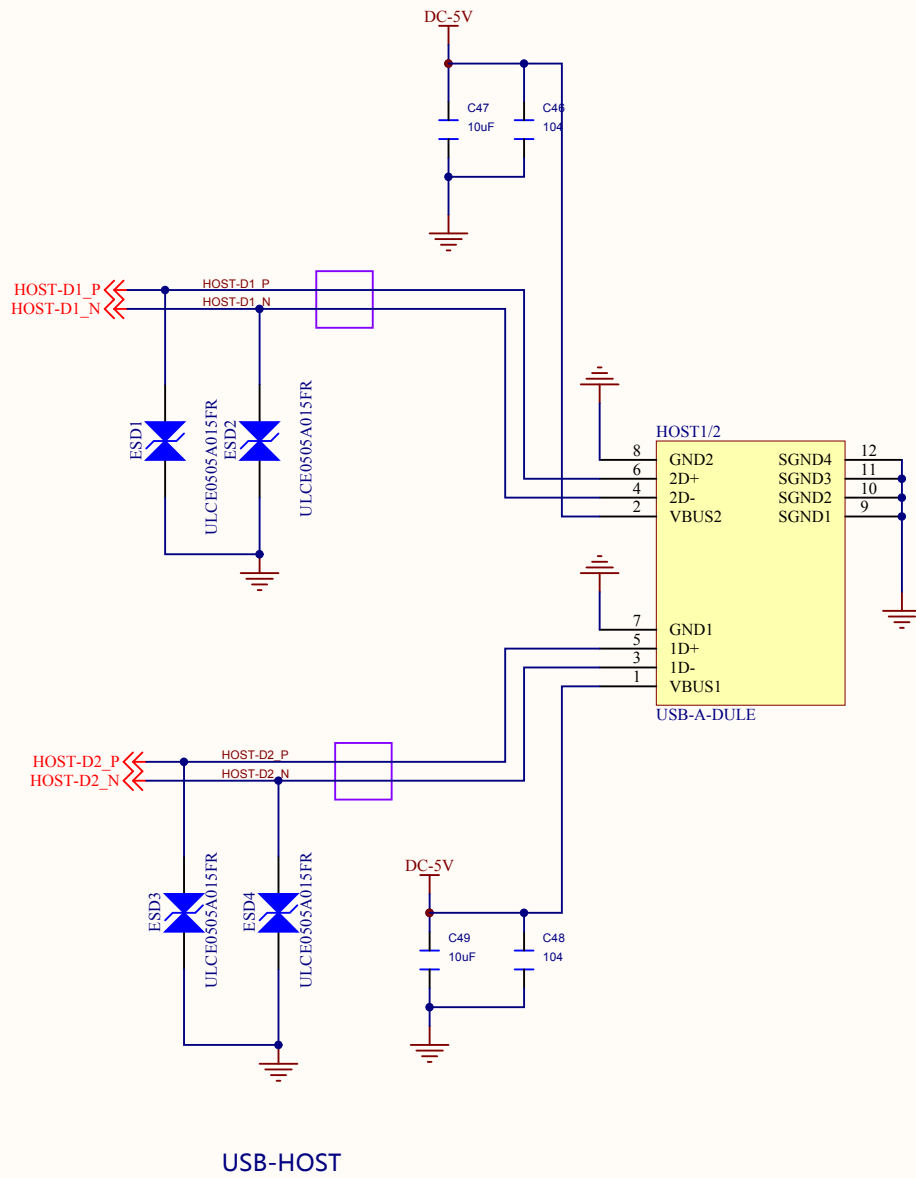
AUDIO IN



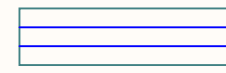
Differential pairs
Z0= 100ohm +/-5 ohm

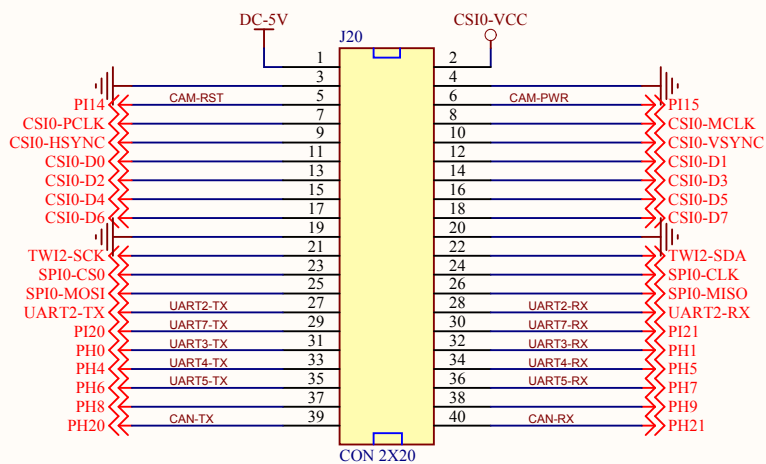
SATA

HAOYU ELECTRONICS		HAOYU Electronics	
Title: SI M A10/ A20		REV: 1.0	
File: SATA-ALDI O		Page Num:	
Create Date:		Page Total:	
Modify Date:		Page Total:	
5		6	

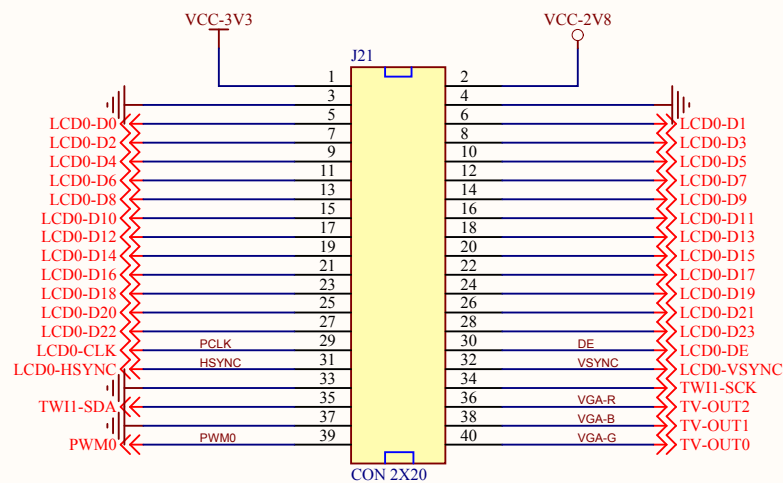


Differential pairs
Z0= 90 ohm



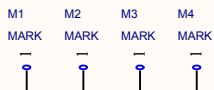


IO PORT

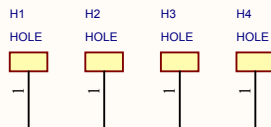


LCD PORT

Mark



Hole



POWER Indicator

