

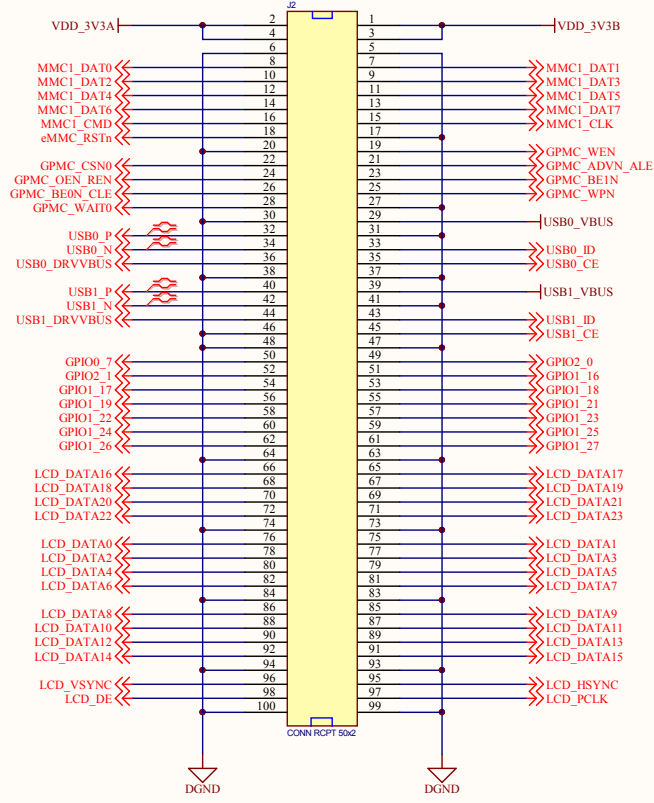
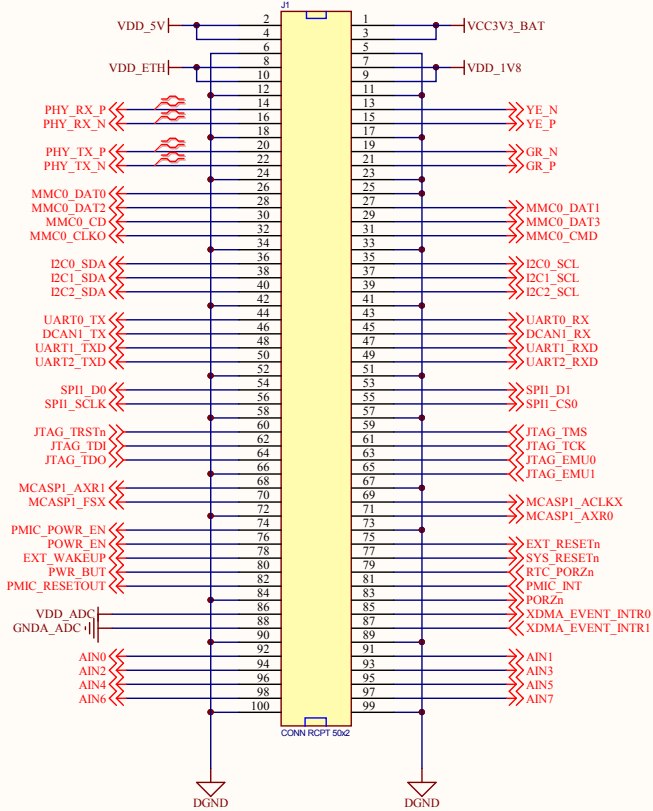
Schematics Index

P01: INDEX
P02: CM-INTERFACE
P03: SYSTEM
P04: USB_HOST+OTG
P05: DEBUG+TF+JTAG+ETHERNET
P06: AUDIO
P07: HDMI
P08: EXT-INTERFACE

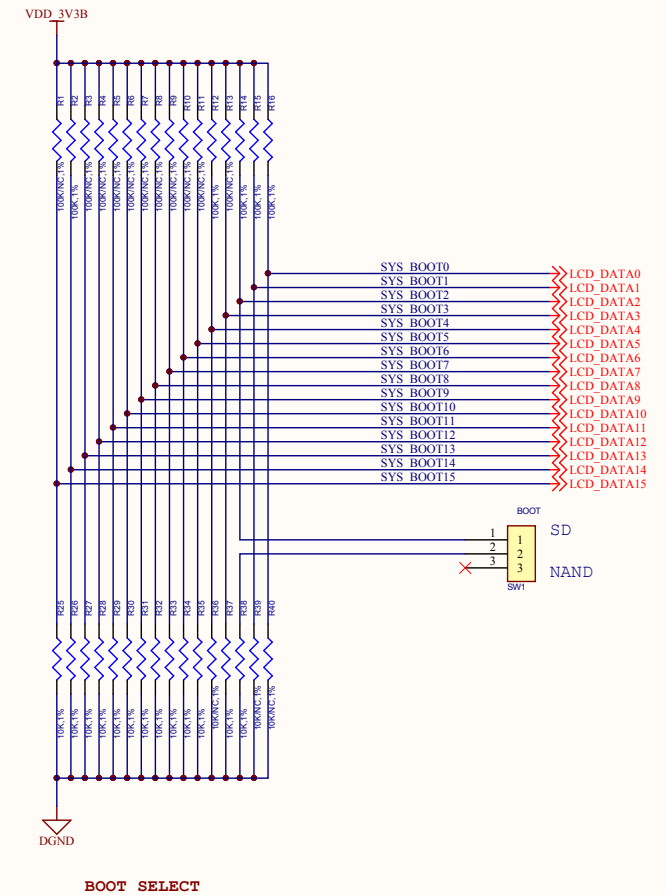
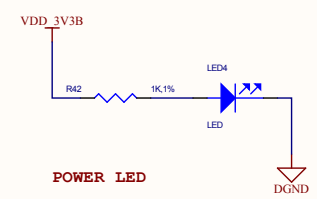
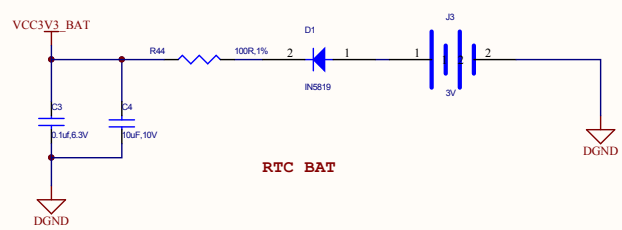
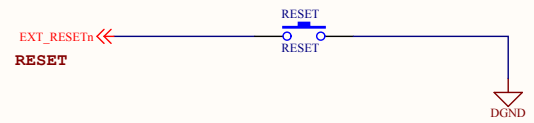
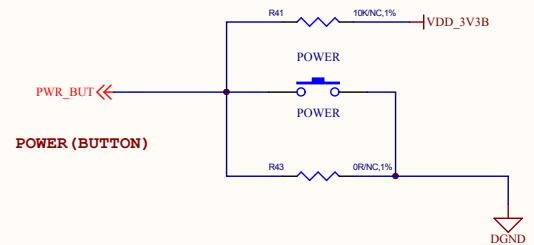
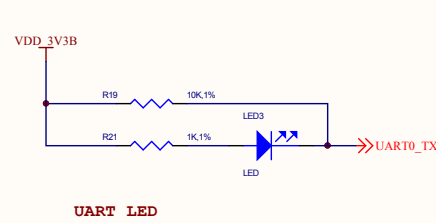
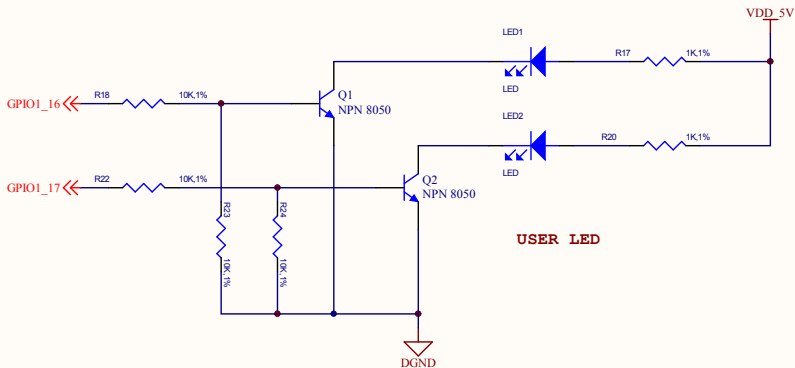
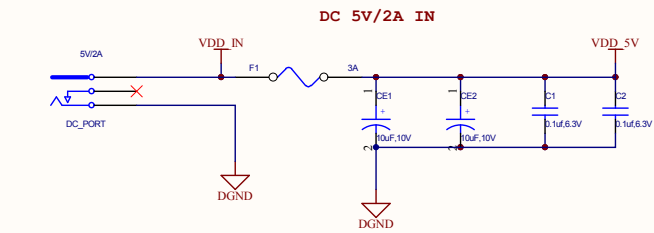
SIM-AM335X

Rev	Description	Date	Drawn	Checked	Approved
SIM-AM335X V1.0	Release	2014-07-18	Jan	Jan	

Waveshare Electronics		
Title INDEX		
Size A	Document Number	Rev V1.0
Date:	Sheet 1 of 7	



Waveshare Electronics		
Title		
CM-INTERFACE		
Size	Document Number	Rev
A		V1.0
Date:	Sheet	2 of 7



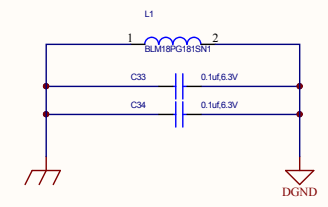
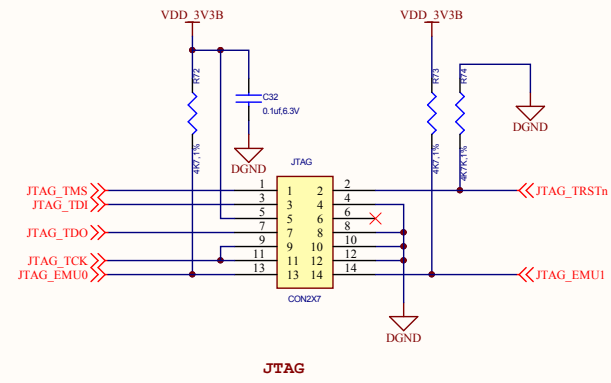
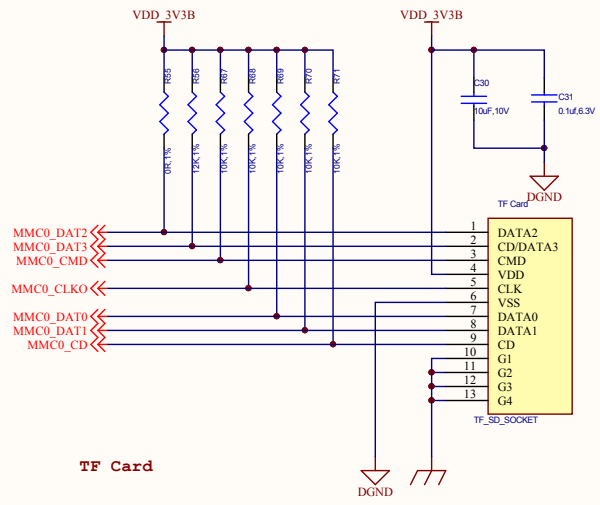
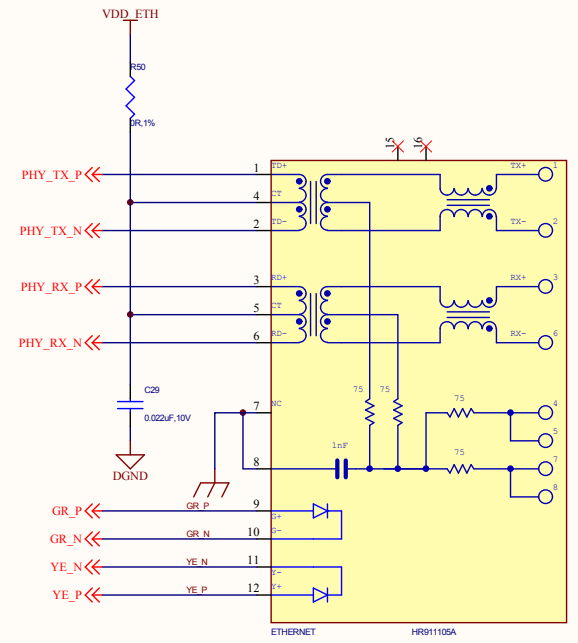
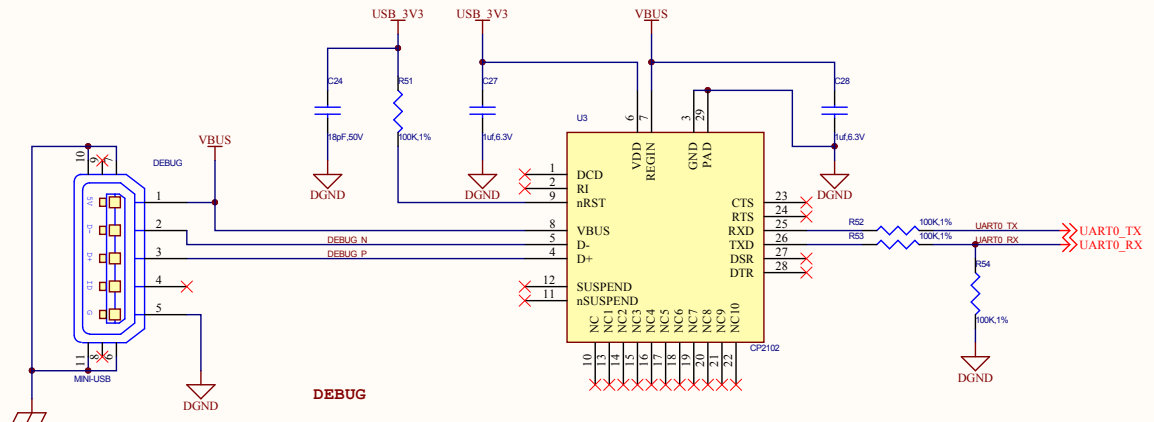
DEVICE	SYS_BOOT4	SYS_BOOT3	SYS_BOOT2	SYS_BOOT1	SYS_BOOT1
SD	1	0	1	1	1
NAND	1	0	0	1	1

Waveshare Electronics

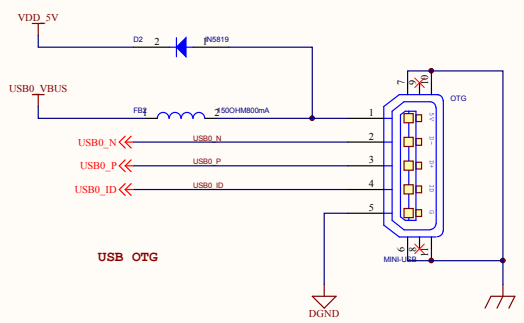
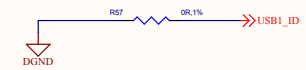
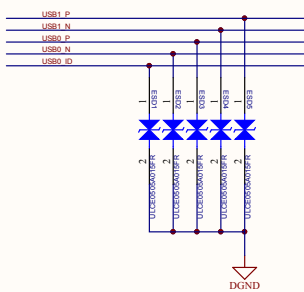
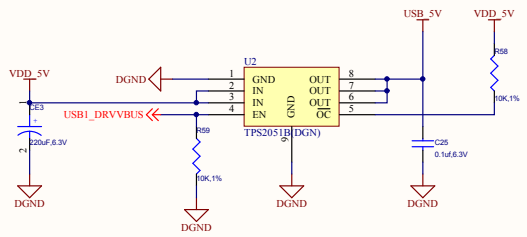
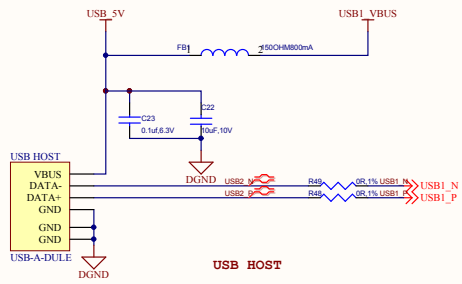
Title: SYSTEM

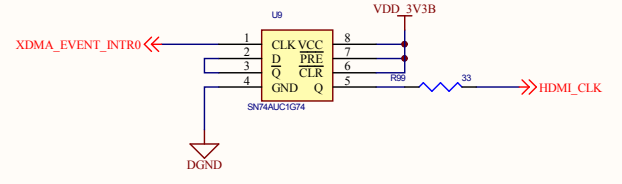
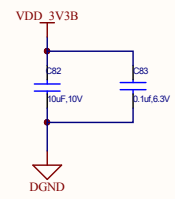
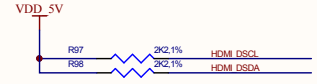
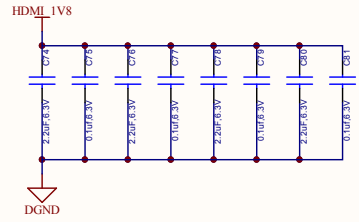
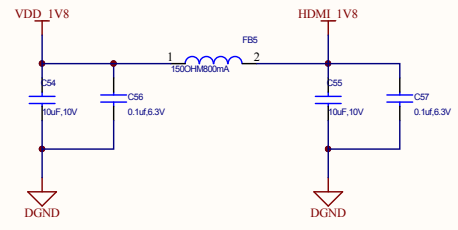
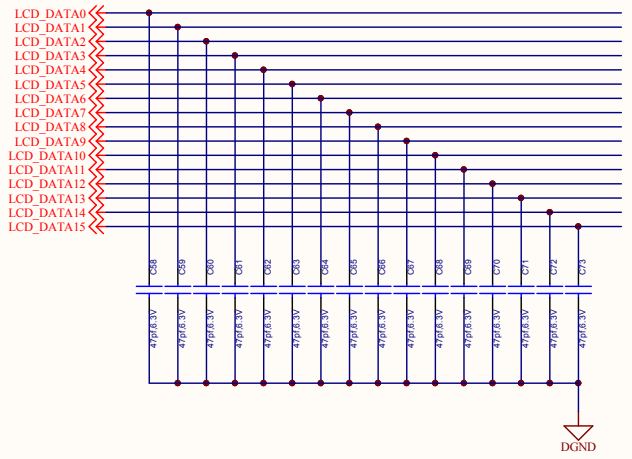
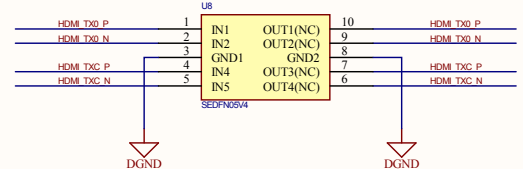
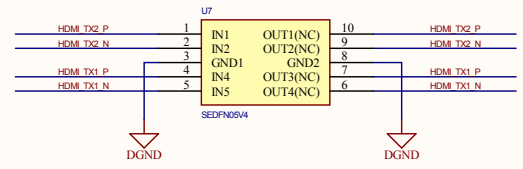
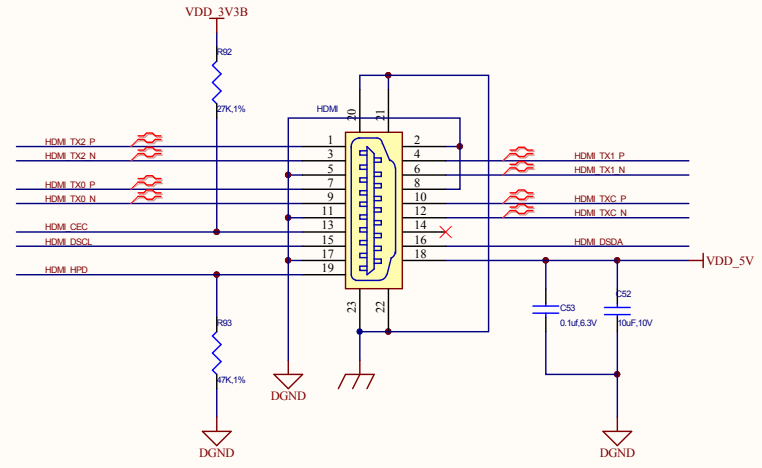
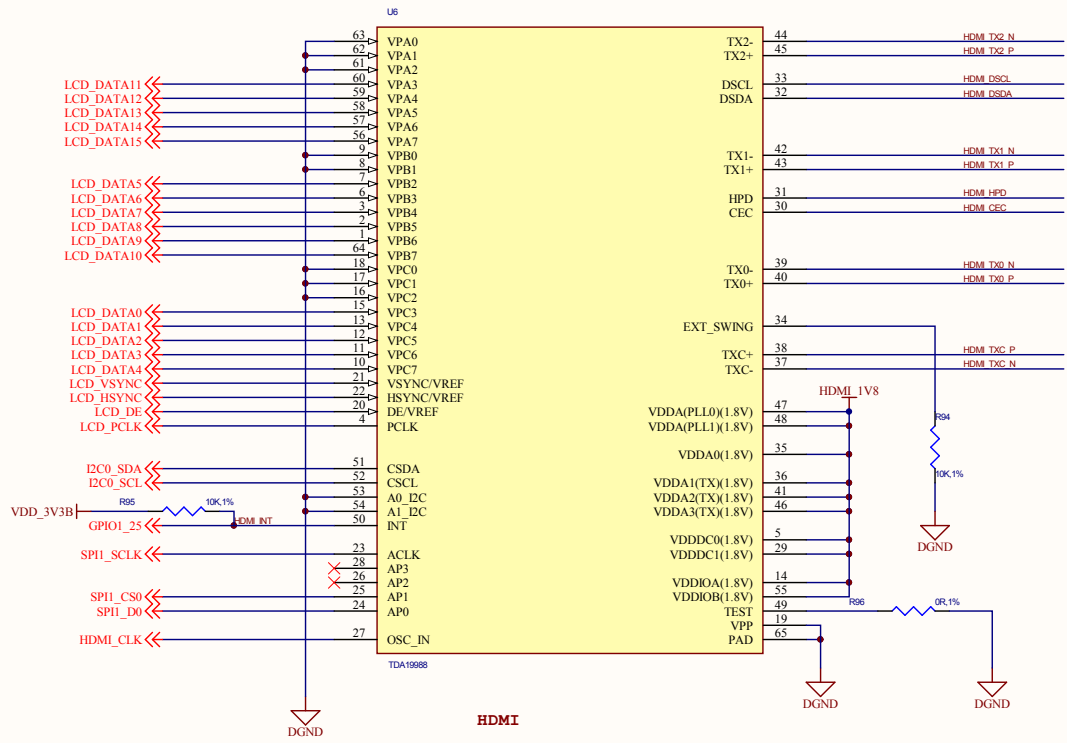
Size: A Document Number Rev: V1.0

Date: Sheet 3 of 8

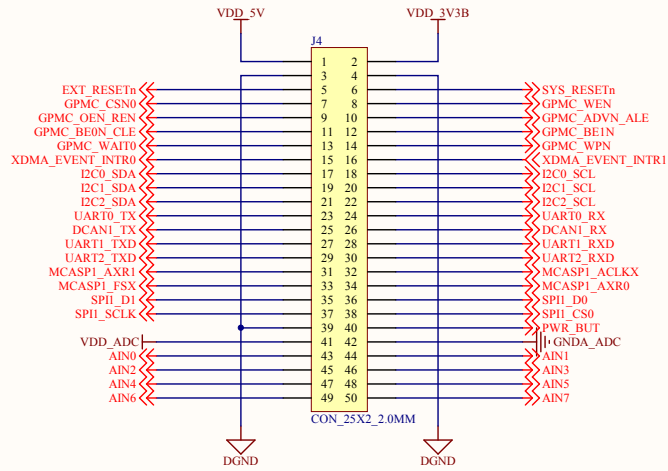


Waveshare Electronics		
Title		
DEBUG+TF+JTAG+ETHERNET		
Size	Document Number	Rev
A		V1.0
Date:	Sheet	4 of 7

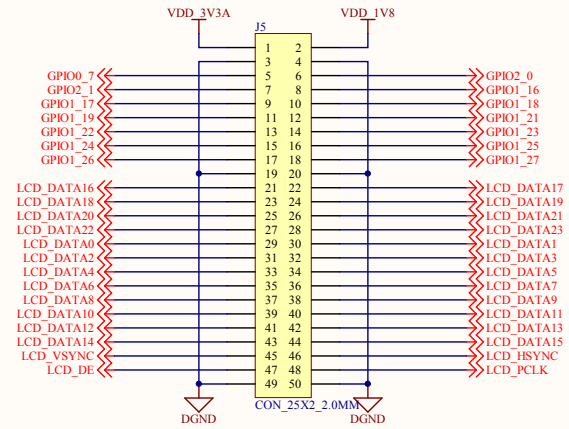




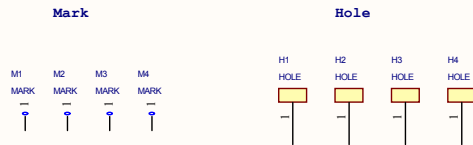
Waveshare Electronics		
Title: HDMI		
Size: A	Document Number:	Rev: V1.0
Date:	Sheet: 8	of 7



I/O PORT



LCD PORT



Waveshare Electronics		
Title EXT-INTERFACE		
Size A	Document Number	Rev V1.0
Date:	Sheet 7 of 7	