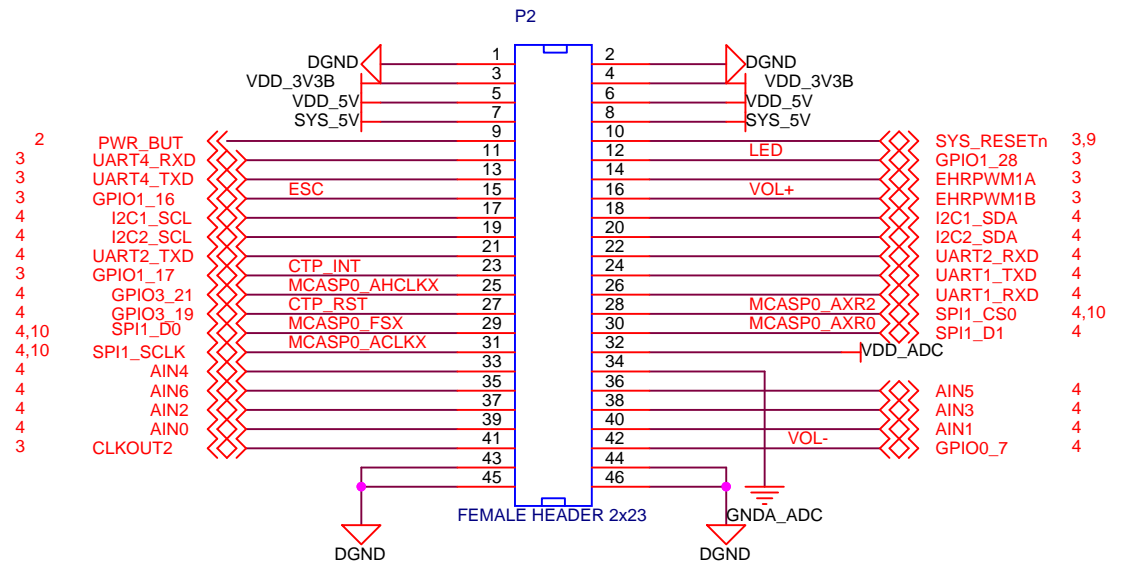
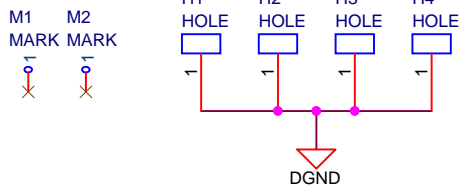
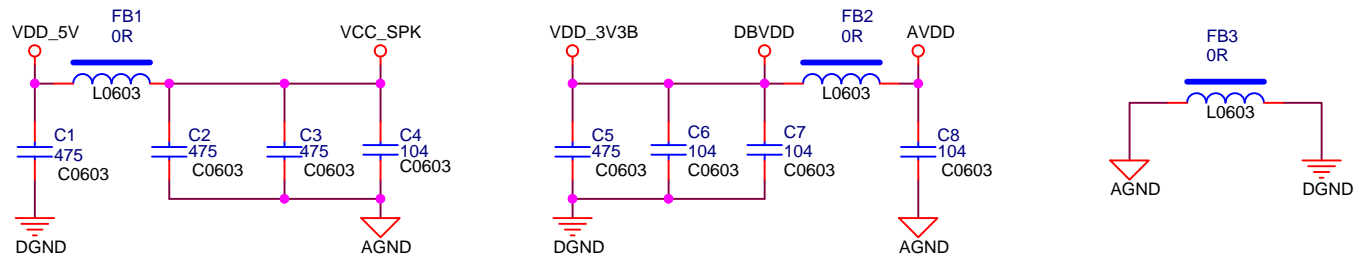


### EXPANSION HEADER

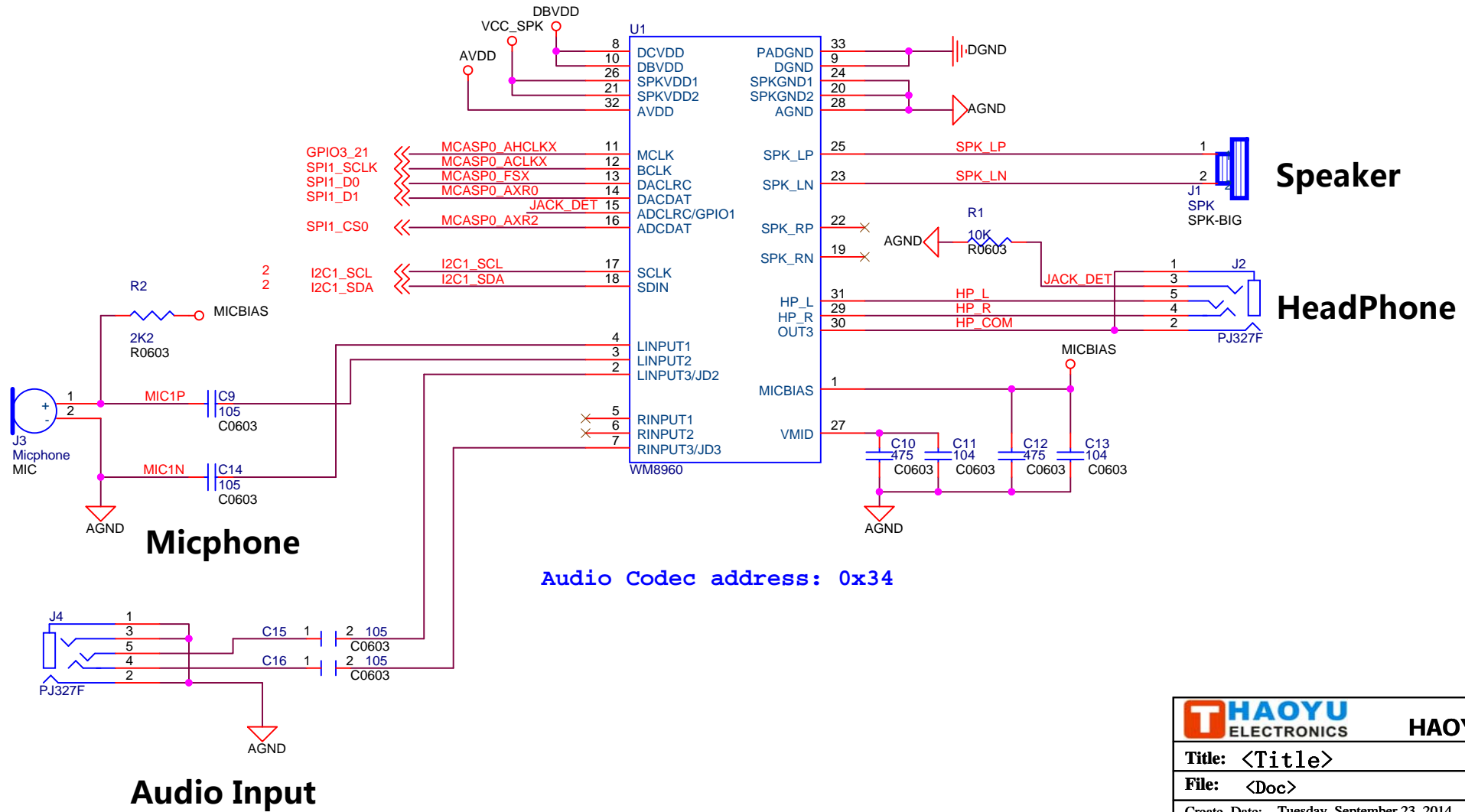


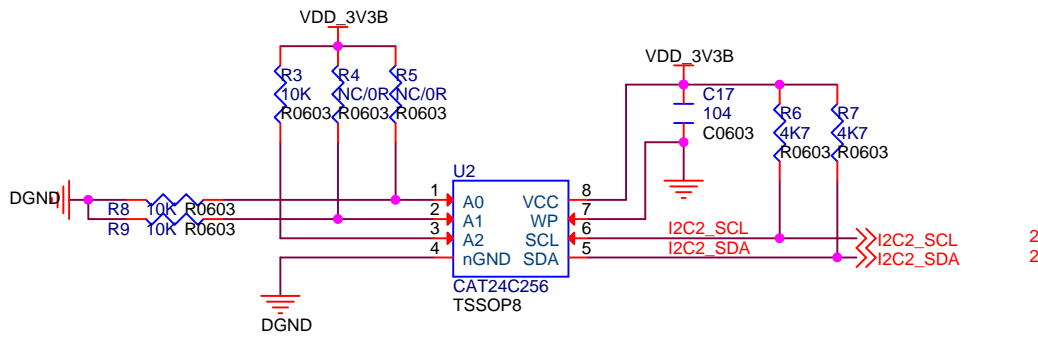
### EXPANSION HEADER





## Audio Codec Power



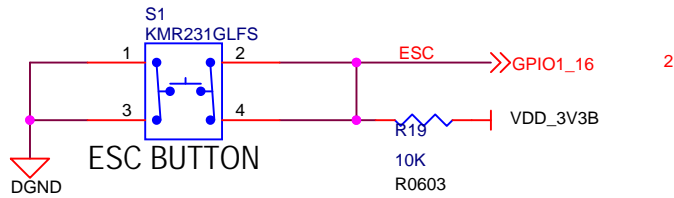


EEPROM used for storing the Board ID and board configuration information

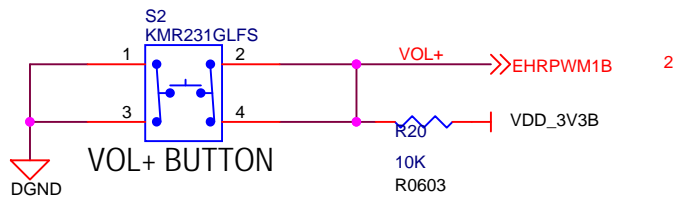


**Power LED**

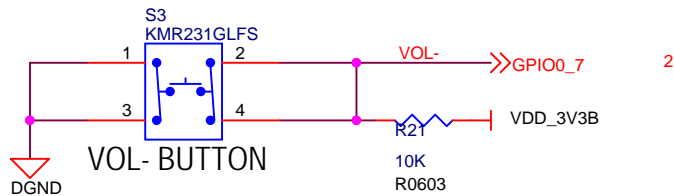
**User LED**



**ESC BUTTON**



**VOL+ BUTTON**



**VOL- BUTTON**

